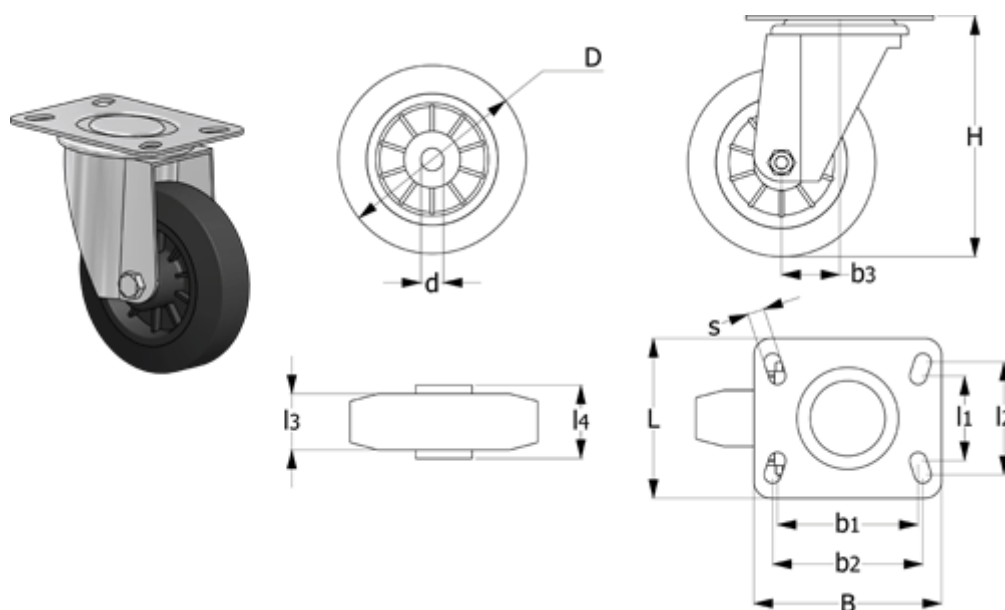


Article number: 2314449556

Description: E+G rubber wheel 449556  
RE.E2-100-SBL turning plate u/bremse

## Measures



B	= 100	g	= 730	s	= 9
b1	= 75	H	= 128	Type	= RE.E2-100-SBL
b2	= 80	L	= 85		
b3	= 35	l1	= 45		
Code	= 449556	l2	= 60		
D	= 100	l3	= 30		
d	= 12	l4	= 44		
Dynamic load (N)	= 800	Rolling resistance (N)	= 750		